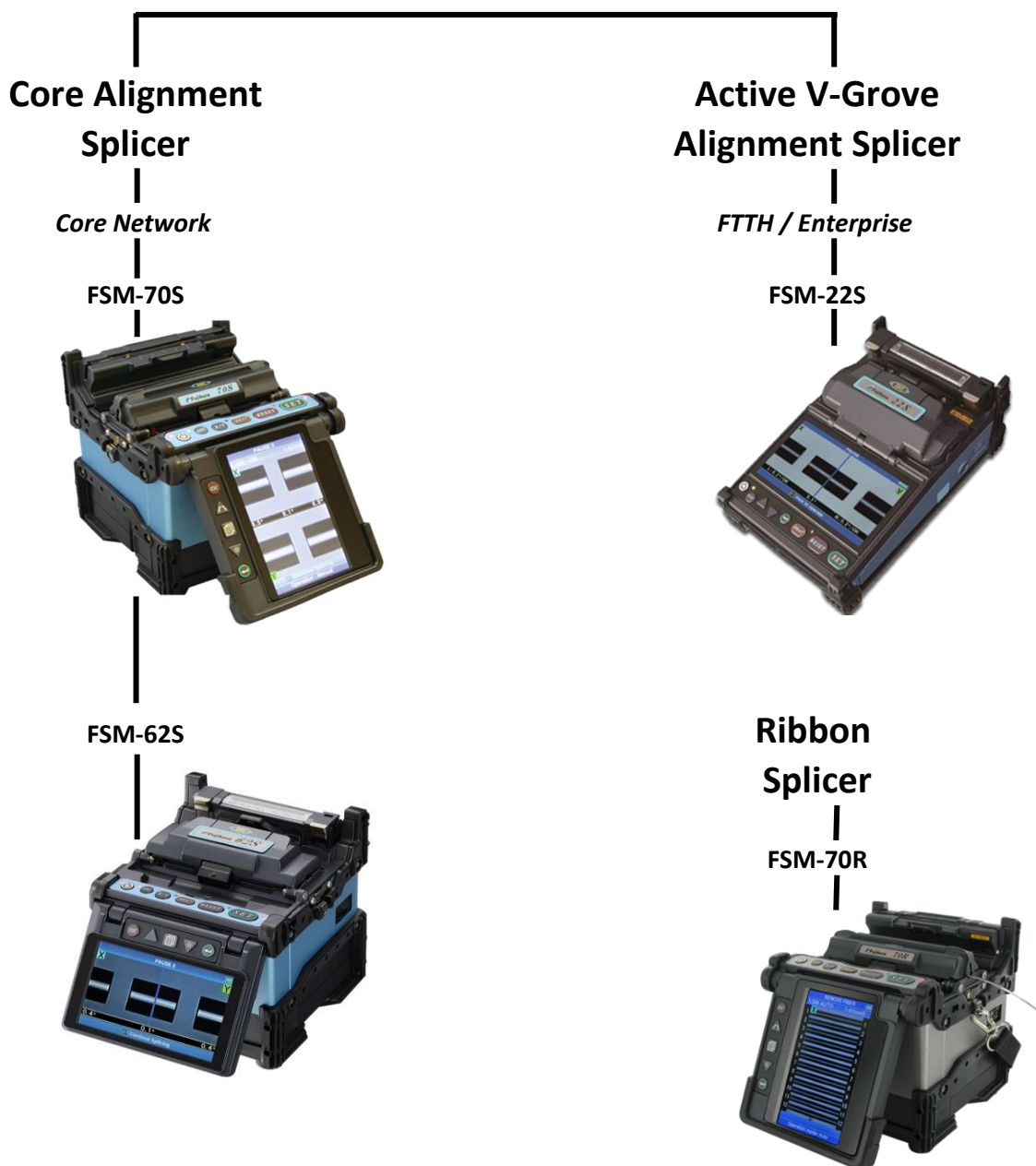


Fujikura - Fusion Splicers - Telecom



Specifications and descriptions are subject to change without prior notice.

FIBERARC: Ihr exklusiver Partner von Fujikura für die Schweiz

Das ideale Spleissgerät für:

- FTTx
- Datacenter
- LAN
- City-/Metro



FUJIKURA FSM-22S

- 3-Achs Faserausrichtung (V-Groove-Alignment)
- Vollautomatisches Spleissen
- 9 Sekunden Spleisszeit
- ca. 500 Spleisse mit einer Akku-Ladung
- Gewicht nur 1.1 Kg
- Hervorragende Spleiss- und Dämpfungsergebnisse

Im Lieferumfang ist u.a. das top Brechgerät FUJIKURA CT-30 sowie vollumfängliches Zubehör etc. enthalten



FUJIKURA FSM-70S

- Kernzentriert, 3-Achs vollautomatisches Spleissen
- 6 Sekunden Spleisszeit
- 9 Sekunden Schrumpf-Spleisszeit
- Vollautomatische Fasererkennung
- Schwenkbarer, sehr robuster TFT-Monitor

Im Lieferumfang enthalten ist das top Brechgerät FUJIKURA CT-30

Das LWL-Feldspleissgerät für Ausseneinsätze.
Garantiert höchste Zuverlässigkeit und Präzision.

Interessiert? Gerne präsentieren wir Ihnen die Geräte vor Ort.
Vereinbaren Sie jetzt einen Termin unter der Telefonnummer 034/423 11 11.



FIBERARC
equipment for telecom

- Verkauf / Miete / Leasing
- Eigenes Service- und Reparaturcenter
- Support & Schulungen

Fujikura - Active V-Groove Alignment Splicer FSM-22S

The Advanced FTTH Splicer



Single Fiber Fusion Splicer

Fujikura 22S Active V-groove Alignment



- Excellent for FTTH
- World's Smallest & Lightest Active V-groove Splicer
- Fast splicing time 9sec.
- Multi-Functional Carrying Case



SPECIFICATIONS

Applicable fibers	Single / SMF(G.652/657), MMF(G.651), DSF(G.653), NZDSF(G.655)
Cladding dia. / Sheath dia.	125 μm / Up to 3mm with sheath clamp
Cleave length	5mm to 16mm
Splice mode / heating mode	Total 100 splice modes / 30 heating modes
Typical splice loss	0.03dB (SM), 0.01dB(MM), 0.05dB(DS) and 0.05dB(NZDS) Measured by cut-back method relevant to ITU-T and IEC standards.
Splice time	Typical 9sec SM FAST, Typical 11sec SM AUTO
Tube heating time	Typical 24sec FP-03, coating dia.250μm Typical 25sec FP-03, coating dia.900μm Typical 19sec Slim60mm, coating dia.250μm Typical 16sec Slim40mm, coating dia.250μm
Splice result storage	Last 10,000 splices
Viewing methods / magnification	2 axis 2CMOS camera with 4.73" color LCD. 132X magnification.200X magnification after splicing
Tension test	1.96 to 2.25N
Applicable protection sleeve	60mm, 40mm and Fujikura micro sleeves
No. of splice / heating per battery full charge	Typical 200 cycles with BTR-11
Electrode life	5000 splices
Size / weight	120W x 189D x 72H mm / 1140g (including battery)
Operating condition	Altitude : 0 to 5,000m above sea level, Wind : 15m/sec Temperature : -10 to 50deg C, Humidity : 0 to 95%RH, non-dew
Other features	PC software upgrade / data management
Resistance feature	Shock resistance : 76cm (30inch) bottom surface drop ^{*1} Dust resistance : Exposure to dust (0.1 to 500μm dia. Alumina Silicate) . ^{*1} Rain resistance : H=10mm/hr for 10min ^{*1}

*1:Carried out in Fujikura labs in Japan. The shock resistance, dust resistance and rain resistance test do not guarantee that the product will not be damaged under these conditions.

STANDARD PACKAGE

Description	Model No.	Q'ty
Fusion splicer	22S with BTR-11 and ELCT2-12	1pc
AC adapter	ADC-19	1pc
AC power cord	ACC-XX XX=08(JP),09(US),10(UK),11(EU),12(AU)	1pc
Carrying case	CC-32	1pc
Spare electrodes	ELCT2-12	1pair
Instruction manual CD	M-22	1pc
Quick reference guide	Q-22S-E	1pc
Alcohol pot	AP-01	1pc
Screw driver	SD-01	1pc

OPTIONAL ITEMS

Description	Model No.
Fiber holder	FH-60-250 (coating dia. of 250μm)
	FH-60-900 (coating dia. of 900μm)
	FH-60-DC250 (coating dia. of 250μm in drop cable)
	FH-FC-20 (coating dia. of 900μm in 2.0mm Sheath dia.)
	FH-FC-30 (coating dia. of 900μm in 3.0mm Sheath dia.)
Sheath clamp	CLAMP-S21A (included in standard package) CLAMP-S21B (900μm dia. loose buffer fiber)
Battery pack	BTR-11(Li-ion) ²
Electrodes	ELCT2-12

*2:all senders have to ovey the IATA regulation in case of Li-ion battery transportation by air.

ACCESSORIES

Description	Model No.
High precision single fiber cleaver	CT-06 (for single fiber)
High precision fiber cleaver	CT-30 series (for single to 12 ribbon fibers)
Primary coat stripper	PS-02
Nylon jacket stripper	JS-01
Protection sleeve	FP-03 / 03 (L=40) and FPS01series

STANDARD PACKAGE



OPTIONAL ITEMS



Specifications and descriptions are subject to change without prior notice.

Fujikura - Core Alignment Splicer FSM-70S

EVOLUTION!



**World's Quickest
Splicing 6sec
Tube-heating 9sec**

Single Fiber Fusion Splicer

Fujikura 70S

Core-to-Core alignment, Dual-axis observation system



- Automated Wind-Protector.
- Minimum manual operation. Splice in 4 steps.
- Multi-functional carrying case with integrated work station.
- Absolute robustness.



SPECIFICATIONS

Applicable fibers	Single / SMF (G.652/657), MMF (G.651), DSF (G.653), NZDSF (G.655)
Cladding dia. / Sheath dia.	80-150µm / 100-3000µm
Cleave length	5mm to 16mm with sheath clamp
Splice mode / heating mode	Total 100 splice modes / 30 heating modes
Splice loss	0.02dB (SM), 0.01dB (MM), 0.04dB (DSF) and 0.04dB (NZDS) Measured by cut-back method relevant to ITU-T and IEC standards.
Attenuation splice function	Intentional high splice loss of 0.1dB to 15dB (0.1dB step) can be made for an in-line fixed attenuator.
Splice time	Typical 6sec ULTRA FAST Typical 7sec SM FAST, Typical 10sec SM AUTO
Tube heating time	Typical 13sec FP-03, coating dia.250µm Typical 14sec FP-03, coating dia.900µm Typical 9sec Slim 60mm ,coating dia.250µm
Splice result storage	Last 20,000 splices
Viewing methods / magnification	2 axis CMOS camera with 4.73" color LCD. X / Y (320X magnification), or both X and Y simultaneously (200X magnification)
Tension test	1.96 to 2.25N
Applicable protection sleeve	60mm, 40mm and Fujikura micro sleeves
No. of splice / heating per battery full charge*1	Typical 200 cycles with BTR-09
Electrode life	5000 splices
Size / weight	146W x 159D x 150H (mm) / 2.8kg (including battery)
Operating condition	Altitude : 0 to 5,000m above sea level, Wind : 15m/sec Temperature : -10 to 50deg C, Humidity : 0 to 95%RH, non-dew
Resistance features**2	Shock : 76cm (30inch) all surface drop Dust : Exposure to dust (0.1 to 500µm dia Alumina Silicate), IP5X Rain : H=10mm/hr for 10min, IPX2
Other features	PC software upgrade / data management
Terminals	USB 2.0 (Mini-B type) connector for PC communication. 6-pin Mini-DIN connector for HJS-02 or HJS-03 power supply.

*1:one(1) splicing and heating cycle per two(2) min. under room temperature condition.

**2:Carried out in Fujikura labs in Japan. The shock, dust and rain resistance test do not guarantee the product will not be damaged under these conditions.

ACCESSORIES

Description	Model No.
High precision single fiber cleaver	CT-06 (for single fiber)
High precision fiber cleaver	CT-30 series (for single to 12 ribbon fibers)
Primary coat stripper	PS-02
Nylon jacket stripper	JS-01
Thermal jacket stripper	HJS-02, HJS-03
Protection sleeve	FP-03 / 03 (L=40) and FPS01series

OPTIONAL ITEMS

Description	Model No.	SET
Fiber holder	FH-60-250 (coating dia. 250µm)	1pair
	FH-60-900 (coating dia. 900µm)	1pair
	FH-60-DC250 (coating dia. of 250µm in drop cable)	1pair
	FH-FC-20 (coating dia. of 900µm in 2.0mm Sheath dia.)	1pc
	FH-FC-30 (coating dia. of 900µm in 3.0mm Sheath dia.)	1pair
	FH-60-LT900 (900µm dia. loose buffer fiber)	1pair
Sheath clamp	CLAMP-S70C (included in standard package)	1pair
	CLAMP-S70D (900µm dia. loose buffer fiber)	1pair
Battery pack	BTR-09 (Li-ion) ³	1pc
Battery charge cord	DCC-18	1pc
DC power cord	DCC-12 (for cigar-socket)	1pc
	DCC-13 (with alligator clamp)	1pc
Electrodes	ELCT2-20A	1pair
J-Plate	JP-06	1pc

³:all senders must to obey the IATA regulation when transporting Li-ion battery by air.

STANDARD PACKAGE

Description	Model No.	Q'ty
Fusion splicer	70S	1pc
AC adapter	ADC-18	1pc
AC power cord	ACC-XX XX=14 (JP/US), 15 (EU), 16 (UK), 17 (AU)	1pc
Carrying case	CC-30	1pc
Spare electrodes	ELCT2-20A	1pair
Instruction manual CD	M-70 (Manual and PC software)	1pc
Quick reference guide	Q-70S/19S-E (English)	1pc
Warning and cautions	W-70-E	1pc
USB cable	USB-01	1pc
Sleeve loader	SL-01	1pc
Alcohol pot	AP-01	1pc
Screw driver	SD-01	1pc

STANDARD PACKAGE



Specifications and descriptions are subject to change without prior notice.

Fujikura - Core Alignment Splicer FSM-70S - Clamps



Sheath Clamp **CLAMP-S70 series**

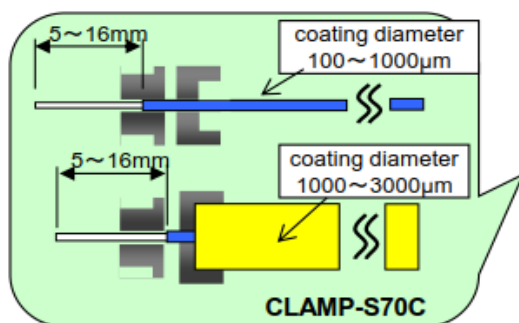


CLAMP-S70 series

Sheath Clamps CLAMP-S70 series are used exclusively with Fujikura 70S series and 19S.

2 types of sheath clamps are available for different fiber type and coating diameter.

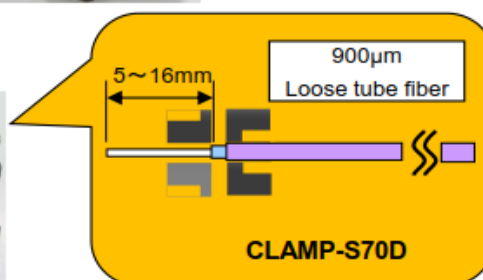
Model	CLAMP-S70C	CLAMP-S70D
Applicable number of fiber	Single	
Coating diameter	100 to 3000 μm	900 μm loose tube fiber
Cleave length	5 to 16 mm	5 to 16 mm
Fiber holding	Magnetic clamping	
Sheath Clamp setting onto splicer	Sheath clamp is slotted onto the slide stage and secured with a screw.	
Dimensions	42L x 29W x 26H (mm)	
Weight	35g for 1 pair	
Use for	70S/80S, 19S ** CLAMP-S70C is standard item for 70S/80S and 19S.	



Note:
CLAMP-S70 series is supplied as a pair, for the left and the right respectively.



How to set



Specifications and descriptions are subject to change without prior notice.

Fujikura - Core Alignment Splicer FSM-62S

The World Standard Splicer



Single Fiber Fusion Splicer

Fujikura 62S

Core-to-Core alignment, Dual-axis observation system



- Core-to-Core alignment splicer
- Fast splicing time 6sec./tube heating time 15sec.
- Multi-functinal carrying case with integrated work station.
- Reliability and robustness



SPECIFICATIONS

Applicable fibers	Single / SMF(G.652/657), MMF(G.651), DSF(G.653), NZDSF(G.655)
Cladding dia./ Sheath dia.	80-150µm / 100- 3000um
Cleave length	5mm to 16mm with sheath clamp
Splice mode / heating mode	Total 100 splice modes / 30 heating modes
Typical splice loss	0.02dB (SM), 0.01dB(MM), 0.04dB(DS) and 0.04dB(NZDS) Measured by cut-back method relevant to ITU-T and IEC standards.
Splice time	Typical 6sec ULTRA FAST Typical 7sec SM FAST, Typical 10sec SM AUTO
Tube heating time	Typical 23sec FP-03,coating dia.250µm Typical 25sec FP-03,coating dia.900µm Typical 15sec Slim60mm,Slim40mm coating dia.250µm
Splice result storage	Last 15,000 splices
Viewing methods / magnification	2 axis 2CMOS camera with 4.73" color LCD. 320X magnification. 400X magnification after splicing.
Tension test	1.96 to 2.25N
Applicable protection sleeve	60mm, 40mm and Fujikura micro sleeves
No. of splice / heating per battery full charge	Typical 200 cycles with BTR-09
Electrode life	5000 splices
Size / weight	146W x 163D x148H mm / 2.6kg (including battery)
Operating condition	Altitude : 0 to 5,000m above sea level, Wind : 15m/sec Temperature : -10 to 50deg C, Humidity : 0 to 95%RH, non-dew
Other features	PC software upgrade / data management
Resistance features	Shock resistance : 76cm (30inch) 5 difference surface drop*1 Dust resistance : Exposure to dust (0.1 to 500µm dia. Alumina Silicate) .*1 Rain resistance : H=10mm/hr for 10min*1

*1:Carried out in Fujikura labs in Japan. The shock resistance, dust resistance and rain resistance test do not guarantee that the product will not be damaged under these conditions.

ACCESSORIES

Description	Model No.
High precision single fiber cleaver	CT-06 (for single fiber)
High precision fiber cleaver	CT-30 series (for single to 12 ribbon fibers)
Primary coat stripper	PS-02
Nylon jacket stripper	JS-01
Protection sleeve	FP-03 / FP-03 (L=40) and FPS01series

OPTIONAL ITEMS

Description	Model No.
Fiber holder	FH-60-250 (coating dia. of 250µm)
	FH-60-900 (coating dia. of 900µm)
	FH-60-DC250 (coating dia. of 250µm in drop cable)
	FH-60-IDC250 (coating dia. of 250µm in indoor cable)
	FH-FC-20 (coating dia. of 900µm in 2.0mm Sheath dia.)
	FH-FC-30 (coating dia. of 900µm in 3.0mm Sheath dia.)
	FH-60-LT900 (900µm dia. loose buffer fiber)
Sheathclamp	CLAMP-S21A (included in standard package) CLAMP-S21B (900µm dia. loose buffer fiber)
Battery pack	BTR-09(Li-ion)*2
Battery charge cord	DCC-18
DC power coad	DCC-12(for cigar-socket) DCC-13(with alligator clamp)
Electrodes	ELCT2-20A
Transfer Clamp	CLAMP-DC

*2:all senders have to ovey the IATA regulation in case of Li-ion battery transportation by air.

STANDARD PACKAGE

Description	Model No.	Q'ty
Fusion splicer	62S	1pc.
AC adapter	ADC-18	1pc.
AC power cord	ACC-XX XX=14(JP/US),15(EU),16(UK),17(AU)	1pc.
Carrying case	CC-24	1pc.
Spare electrodes	ELCT2-20A	1pair
Instruction manual CD	M-62	1pc.
Quick reference guide	Q-62S-E	1pc.
Alcohol pot	AP-01	1pc.
Sleeve loader	SL-01	1pc.
USB cable	USB-01	1pc.
Screw driver	SD-01	1pc.
J-Plate	JP-08	1pc.

STANDARD PACKAGE

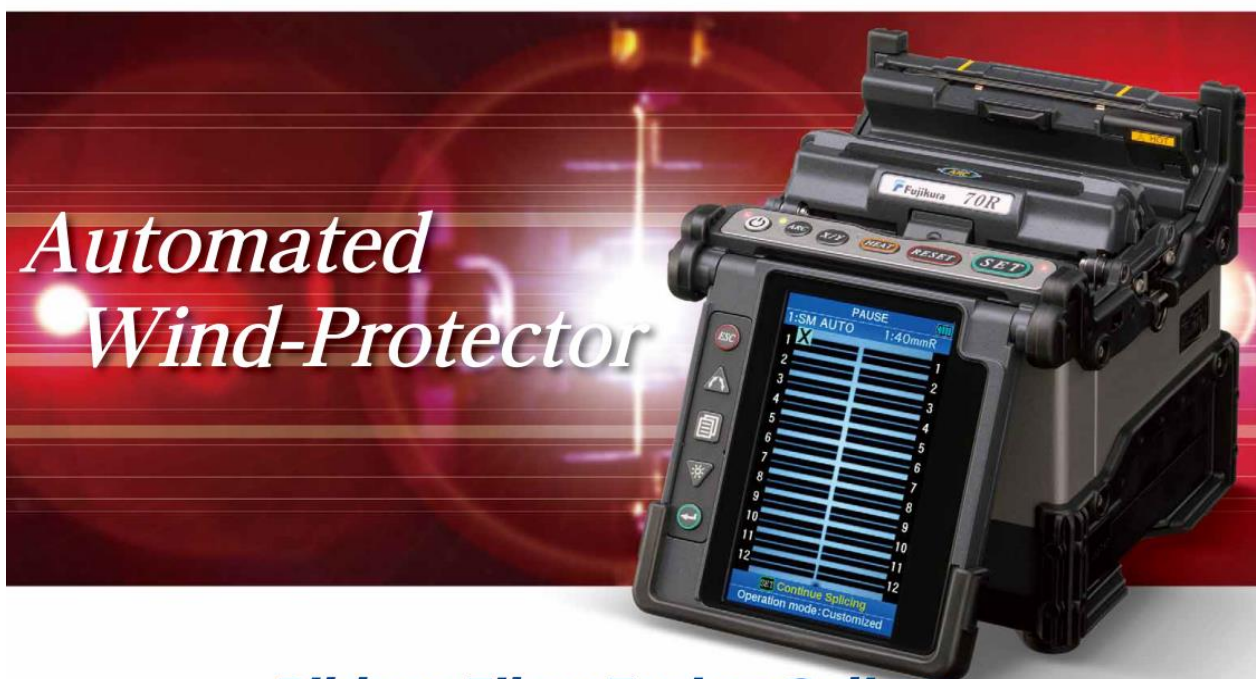


Specifications and descriptions are subject to change without prior notice.

Fujikura - Ribbon Splicer FSM-70R

Quickest Ribbon Splicer!

Splicing:11sec / Tube-heating:18sec.



Ribbon Fiber Fusion Splicer
Fujikura 70R
Fixed v-groove, Dual-axis observation system



- Up to 12-fiber ribbon splicing.
- Minimum manual operation.
Splice in 5 steps.
- Multi-functional carrying case
with integrated work station.
- Absolute robustness.



SPECIFICATIONS

Applicable fibers	SMF(G.652/657), MMF(G.651), DSF(G.653), NZDSF(G.655)
Fiber count	Single to 12
Cladding dia./ Sheathe dia.	Single : 125 μm / 160μm to 3mm by fiber holder system Ribbon : 125um / Ribbon fiber thickness 0.25 to 0.4mm
Cleave length	10mm to 13mm
Splice mode / heating mode	Total 100 splice modes / 30 heating modes
Typical splice loss	0.05dB (SM), 0.02dB(MM), 0.08dB(DS) and 0.08dB(NZDS) Measured by cut-back method relevant to ITU-T and IEC standards.
Splice time / tube heating time	Typical 11sec with SM FAST, 15sec with SM AUTO / Typical 18sec with FP-04(T) sleeve
Splice result storage	Last 2000 splices
Viewing methods / magnification	2 axis CMOS camera with 4.73" color LCD. X / Y (35 - 90X magnification, automatically change depending on fiber count), or both X and Y simultaneously
Tension test	1.96 to 2.25N
Applicable protection sleeve	60mm, 40mm and Fujikura micro sleeves
No. of splice / heating per battery full charge*1	Typical 110 cycles with BTR-09
Electrode life	1500 splices
Size / weight	146W x 159D x 150H (mm) / 2.5kg (including battery)
Operating condition	Altitude : 0 to 3,660m above sea level, Wind : 15m/sec Temperature : -10 to 50deg C, Humidity : 0 to 95%RH, non-dew
Resistance tests*2	Shock : 30in all surface drop Dust : Exposure to dust (0.1 to 500μm dia Alumina Silicate) IP5X Rain : H=10mm/hr for 10min IPX2
Other features	PC software upgrade / data management
Terminals	USB 2.0 (Mini-B type) connector for PC communication. 6-pin Mini-DIN connector for HJS-02 or HJS-03 power supply.

*1:one(1) splicing and heating cycle per two(2) min. under room temperature condition.

*2:Carried out in Fujikura labs in Japan. The shock, dust and rain resistance test do not guarantee the product will not be damaged under these conditions.

ACCESSORIES

Description	Model No.
High precision fiber cleaver	CT-30 series (for single to 12 ribbon fibers)
Primary coat stripper	PS-02
Nylon jacket stripper	JS-01
Thermal jacket stripper	HJS-02, HJS-03
Protection sleeve	FP-04(T)/ 05/ 03 / 03 (L=40) and FPS01series

OPTIONAL ITEMS

Description	Model No.	SET
Fiber holder	FH-50-250*3, FH-60-250 (coating dia. of 250μm)	1pair
	FH-50-900*3 (coating dia. of 900μm)	1pair
	FH-50-2 (2 fiber ribbon)	1pair
	FH-50-4 (4 fiber ribbon)	1pair
	FH-50-8 (8 fiber ribbon)	1pair
	FH-50-12 (12 fiber ribbon)	1pair
	FH-60-DC250 (coating dia. of 250μm in drop cable)	1pair
	FH-FC-20 (coating dia. of 900μm in 2.0mm Sheath code)	1pc
	FH-FC-30 (coating dia. of 900μm in 3.0mm Sheath code)	1pc
	FH-60-LT900 (900μm dia. loose buffer fiber)	2pcs
Battery pack	BTR-09 (Li-ion)*4	1pc
Battery charge cord	DCC-18	1pc
DC power cord	DCC-12 (for cigar-socket)	1pc
	DCC-13 (with alligator clamp)	1pc
Electrodes	ELCT2-20A	1pair

*3:FH-50-250/900 improves usability with single fiber due to flange design. However it cannot be used with HJS-03.

*4:all senders must to obey the IATA regulation when transporting Li-ion battery by air.

STANDARD PACKAGE

Description	Model No.	Q'ty
Fusion splicer	70R	1pc
AC adapter	ADC-18	1pc
AC power cord	ACC-XX XX=14(JP/US),15(EU),16(UK),17(AU)	1pc
Carrying case	CC-30	1pc
Spare electrodes	ELCT2-20A	1pair
Instruction manual CD	M-70 (Instruction manual and PC software)	1pc
Quick reference guide	Q-70R/19R-E (English)	1pc
Warning and cautions	W-70-E	1pc
USB cable	USB-01	1pc
Sleeve loader	SL-01	1pc
Alcohol pot	AP-01	1pc
Screw driver	SD-01	1pc

STANDARD PACKAGE



Specifications and descriptions are subject to change without prior notice.

Specifications and descriptions are subject to change without prior notice.

Fujikura - Fibre Cleaver CT-05

High Precision Single Fiber Cleaver

CT-05 series



CT-05A

**Suitable for FTTH
Dedicated for single fiber cleaving.
Outstanding cost performance.**



Circular blade sliding



Easy fiber placing



Simple action

SPECIFICATION

Description	CT-05	CT-05A	CT-05B
Applicable fiber	Conventional silica optical fiber		
Fiber count	Single fiber		
Bare fiber diameter	125 μm		
Fiber placing	Fiber holder	Fiber plate AD-10	Fiber plate AD-30B
Coating diameter	250 to 900 μm		
Cleave length	10 mm	6 to 20 mm (coating diameter = 250 μm) 8 to 20 mm (coating diameter > 250 μm)	16 mm
Cleave angle	Average 1.0 degree or less (single mode fiber)		
Blade life	48,000 fibers (1,000 fibers x 3 heights x 16 positions)		
Dimensions	72(W) x 82(D) x 42(H) mm		
Weight	180 g		

STANDARD PACKAGE

Description	Model No.	CT-05	CT-05A	CT-05B
Main body	CT-05	1pc.	1pc.	1pc.
Fiber plate	AD-10	-	1pc.	-
	AD-30B	-	-	1pc.
Carrying case	CC-28	1pc.	1pc.	1pc.
Hexagonal wrench	HEX-01	1pc.	1pc.	1pc.
Instruction manual	M-CT05-E	1pc.	1pc.	1pc.

OPTIONAL ITEMS

Description	Model No.	Note
Fiber plate	AD-10	Cleaving length : 6 to 20 mm (coating diameter = 250 μm) 8 to 20 mm (coating diameter > 250 μm)
	AD-30B	Cleaving length : 16 mm fixed at 0.25 to 0.9 mm coating diameter

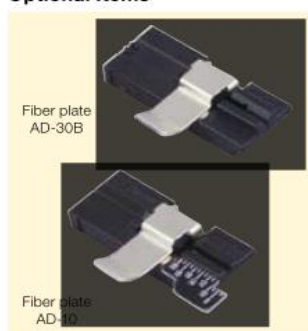
FIBER HOLDERS

Description	Model No.
Applicable fiber holder	FH-100-250 to 900 FH-50-250 / FH-50-900 FH-60-250 / FH-60-900

Standard Package



Optional Items



Cleaving procedure

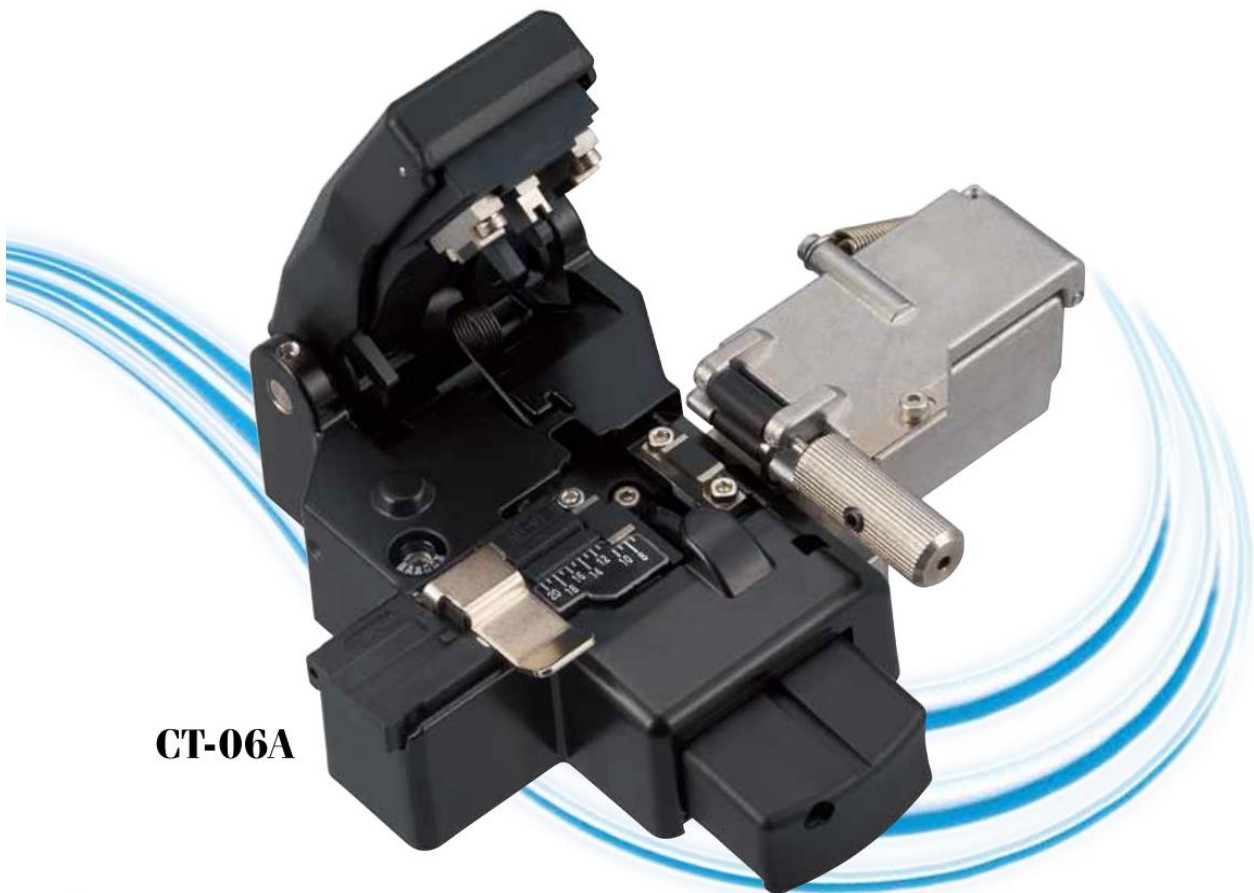


Specifications and descriptions are subject to change without prior notice.

Fujikura - Fibre Cleaver CT-06

High Precision Single Fiber Cleaver

CT-06 series



CT-06A

Suitable for FTTH
Dedicated for single fiber cleaving.
Outstanding cost performance.



Circular blade sliding



Easy fiber placing



Simple action



Fiber scrap collection

SPECIFICATION

Description	CT-06	CT-06A	CT-06B
Applicable fiber	Conventional silica optical fiber		
Fiber count	Single fiber		
Bare fiber diameter	125 μm		
Fiber placing	Fiber holder	Fiber plate AD-10	Fiber plate AD-30B
Coating diameter	250 to 900 μm (2mm/3mm cord & drop cable with AD-30C)		
Cleave length	10 mm	5 to 20 mm (coating diameter = 250 μm) 10 to 20 mm (coating diameter > 250 μm)	16 mm
Cleave angle	Typical 0.5 degrees		
Blade life	48,000 fibers (1,000 fibers x 3 heights x 16 positions)		
Dimensions	113.5(W) x 82(D) x 42(H) mm (Including fiber scrap collector)		
Weight	225 g		

STANDARD PACKAGE

Description	Model No.	CT-06	CT-06A	CT-06B
Main body*	CT-06	1pc.	1pc.	1pc.
Fiber plate	AD-10	-	1pc.	-
	AD-30B	-	-	1pc.
Carrying case	CC-31	1pc.	1pc.	1pc.
Hexagonal wrench	HEX-01	1pc.	1pc.	1pc.
Instruction manual	M-CT05-E	1pc.	1pc.	1pc.

* Fiber scrap collector is included in standard package

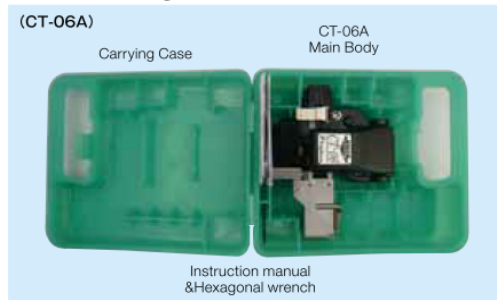
OPTIONAL ITEMS

Description	Model No.	Note
Fiber plate	AD-10	Cleaving length : 5 to 20 mm (coating diameter = 250 μm) 10 to 20 mm (coating diameter > 250 μm)
	AD-30B	Cleaving length : 16 mm fixed at 0.25 to 0.9 mm coating diameter
	AD-30C	Cleaving length : 11 mm fixed at 2 to 3 mm coating diameter (for 2mm/3mm cord & drop cable)

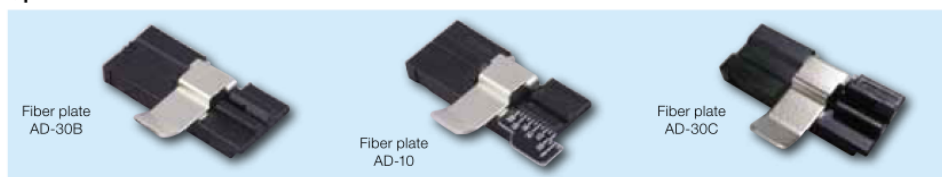
FIBER HOLDERS

Description	Model No.
Applicable fiber holder	FH-100-250 to 900 FH-50-250 / FH-50-900 FH-60-250 / FH-60-900

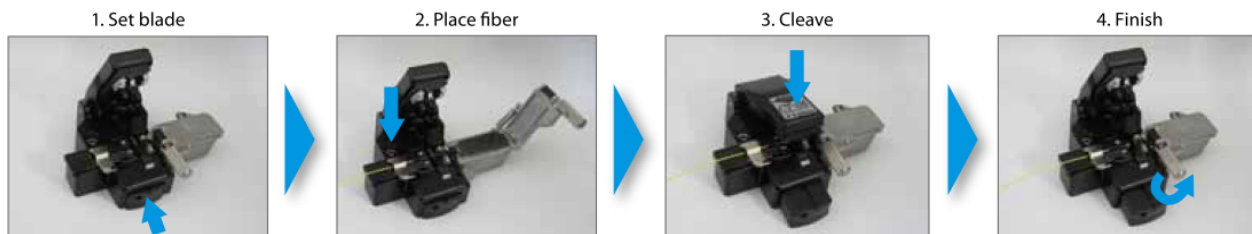
Standard Package



Optional Items



Cleaving procedure



Specifications and descriptions are subject to change without prior notice.

Fujikura - Fibre Cleaver CT-30

High Precision Fiber Cleaver

CT-30 series



Features

- Compact body & light weight
- Applicable up to 12-fiber cleaving
- 48,000 fibers blade life (3 height x 16 positions)
- Fiber scrap collection-free
- Both compact type and large capacity type of Fiber scrap container available

1. Blade setting



2. Fiber placing



3. Cleaving



SPECIFICATION			
Model	CT-30	CT-30A	CT-30B
Fiber count	Up to 12	Single	Single
Cleaving length	10mm	6 to 20mm (250µm)	16mm
Fiber placing	Fiber holder	Fiber plate (AD-30A)	Fiber plate (AD-30B)
Applicable fibers	Silica optical fiber		
Bare fiber diameter	125µm		
Cleaving angle	Typical 0.5 degrees with single fiber		
Blade life	48,000 fibers (1,000 fibers X 3 heights X 16 positions)		
Blade positions	3 heights and 16 rotating positions		
Dimensions	102W X 82D X 46H (mm) with FC-02 and FDB-03		
Weight	210g with FC-02 and FDB-03		

Appearance



Optical fibers	Cleave length							
	6mm	8mm	10mm	11mm	16mm	20mm		
Single fiber 250µm	CT-30 with FH-50-250 FH-60-250		CT-30A			CT-30B		
Single fiber 400µm	CT-30 with FH-50-250 FH-60-250		CT-30A			CT-30B		
Single fiber 900µm	CT-30 with FH-50-900 FH-60-900		CT-30A			CT-30B		
Single fiber 2-3mm (for 2mm/3mm cord & drop cable)	CT-30 with FH-50-900 FH-60-900		CT-30 with AD-30C			CT-30 with FH-50-2		
Fiber ribbon 2-fiber	CT-30 with FH-50-4		CT-30 with FH-50-5			CT-30 with FH-50-8		
Fiber ribbon 4-fiber	CT-30 with FH-50-4		CT-30 with FH-50-5			CT-30 with FH-50-8		
Fiber ribbon 5-fiber	CT-30 with FH-50-4		CT-30 with FH-50-5			CT-30 with FH-50-8		
Fiber ribbon 6-fiber	CT-30 with FH-50-6		CT-30 with FH-50-8			CT-30 with FH-50-12		
Fiber ribbon 8-fiber	CT-30 with FH-50-6		CT-30 with FH-50-8			CT-30 with FH-50-12		
Fiber ribbon 10-fiber	CT-30 with FH-50-10		CT-30 with FH-50-12					
Fiber ribbon 12-fiber	CT-30 with FH-50-10		CT-30 with FH-50-12					

STANDARD PACKAGE

Description	Model No. Q'ty		
	CT-30	CT-30A	CT-30B
Main body	CT-30 1 pc.	CT-30A 1 pc.	CT-30B 1 pc.
Fiber plate	—	AD-30A 1 pc. (attached)	AD-30B 1 pc. (attached)
Fiber scrap collector	FC-02 1 pc.		
Fiber scrap container (compact)	FDB-02 1 pc.		
Fiber scrap container (large)	FDB-03 1 pc.		
Side cover	SC-01 1 pc.		
Carrying case	CC-21 1 pc.		
Hexagonal wrench	HEX-01 1 pc.		
Instruction manual	1 pc.		

Standard Package



OPTIONAL ITEMS

Description	Model No.	Note
Fiber plate	AD-30A	
	AD-30B	
	AD-30C	11 mm fixed at 2 to 3 mm coating diameter (for 2mm/3mm cord & drop cable)
Holder base attachment	HBA-01	Additional Fiber Holder support

Fiber plates



Carrying case CC-21



FIBER HOLDERS

Usage	For ribbon / bundled fiber							For single fiber	
	FH-50-2	FH-50-4	FH-50-5	FH-50-6	FH-50-8	FH-50-10	FH-50-12	FH-50-250 FH-60-250	FH-50-900 FH-60-900
Fiber holder									
Fiber count	2	4	5	6	8	10	12	1	1
Cleaving length	10mm	10mm	10mm	10mm	10mm	10mm	10mm	10mm	10mm

Specifications and descriptions are subject to change without prior notice.

Fujikura - Fibre Cleaver CT-32



High Precision Fiber Cleaver CT-32



CT-32

- The CT-32 is designed for cleaving silica fiber with 125mm cladding diameter, specially for its short length cleaving capability. Minimum 3mm cleave is possible by up to 400mm fiber coating, while the coating to be clamped.
- The CT-32 accepts the fiber setting with FH-40 and FH-100 series Fiber Holder System.

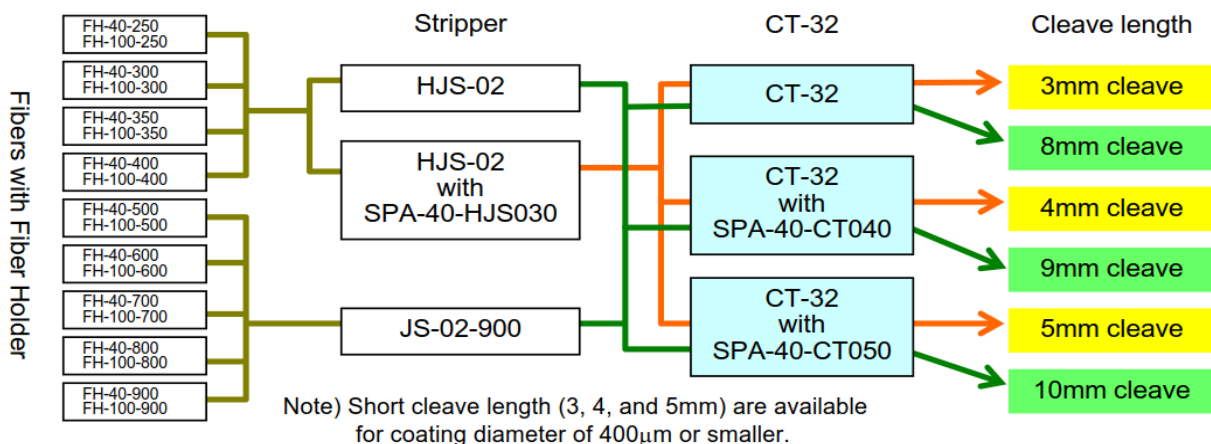
SPECIFICATION	
Applicable fiber	Silica optical fiber
Fiber count	Single
Cladding diameter	125 μ m
Coating diameter	250 μ m to 900 μ m
Fiber setting	by FH-40 and FH-100 series Fiber Holder
Cleave angle	Typical 0.5 degrees
Blade life	48,000 cleaves 1,000 x 3 height x 16 positions
Dimensions	105W x 82D x 46H (mm)

STANDARD PACKAGE		
Description	Model	Q'ty
Main body	CT-32	1pc.
Fiber scrap collector	FC-02	1pc.
Fiber dust container	FDB-02	1pc.
High capacity container	FDB-03	1pc.
Carrying case	CC-21	1pc.
Cleaver spacer	SPA-40-CT-040	1pc.
Hexagonal wrench	HEX-01	1pc.
Side cover	SC-01	1pc.
Instruction manual	-	1pc.

OPTIONAL ITEMS	
Description	Model
Cleaver spacer	SPA-40-CT040
Cleaver spacer	SPA-40-CT050

High Precision Fiber Cleaver CT-32

APPLICATION



Specifications and descriptions are subject to change without prior notice.

Fujikura - Fibre Cleaver CT-38



High Precision Fiber Cleaver CT-38



CT-38

The CT-38 is designed for cleaving silica optical fiber with an 80µm cladding diameter. Minimum 3mm cleave is possible, while the coating is to be clamped.

The CT-38 accepts the FH-40 and FH-100 series Fiber Holder System.

STANDARD PACKAGE		
Description	Model	Q'ty
Main body	CT-38	1pc.
Carrying case	CC-21	1pc.
Cleaver spacer	SPA-40-CT040	1pc.
Hexagonal wrench	HEX-01	1pc.
Side cover	SC-01	1pc.
Instruction manual	-	1pc.

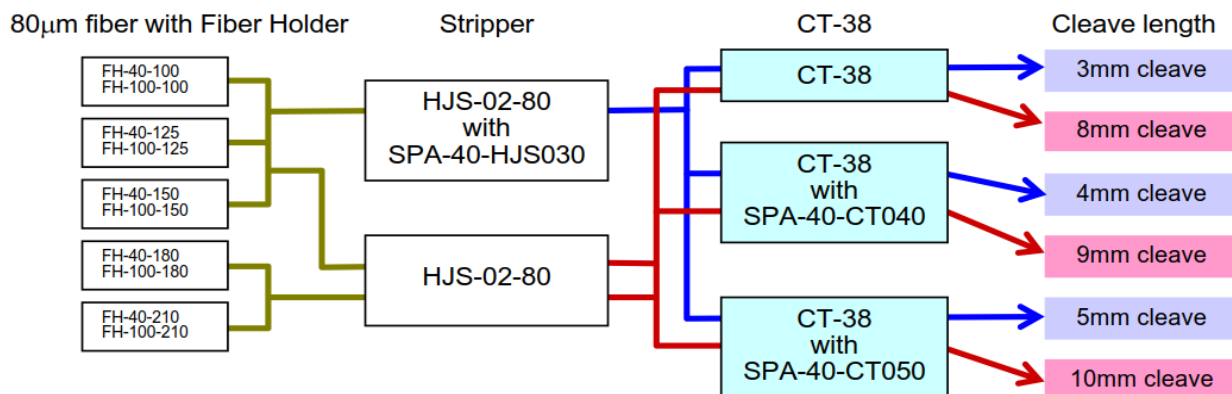
Note) Fiber Scrap Collector, FC-02 is not available to be equipped to CT-38.

SPECIFICATION	
Applicable fiber	Silica optical fiber
Fiber count	Single
Cladding diameter	80µm
Coating diameter	up to 200µm
Fiber setting	by FH-40 and FH-100 series Fiber Holder
Cleave angle	Typical 0.5 degrees
Blade life	48,000 cleaves 1,000 x 3 height x 16 positions
Dimensions	66W x 82D x 46H (mm)
Weight	180g (previous)

OPTIONAL ITEMS	
Description	Model
Cleaver spacer	SPA-40-CT040
Cleaver spacer	SPA-40-CT050

High Precision Fiber Cleaver CT-38

APPLICATION



Note) Short cleave length (3, 4, and 5mm) are available for coating diameter of 165µm or smaller.

Specifications and descriptions are subject to change without prior notice.

Fujikura - Cleaver CT-101/102

CT-101/CT-102



Advanced optical fiber cleaver

CT-101/CT-102



- Consistent cleaving quality.
- Fiber with up to 250 µm cladding diameter.
- Adjustable fiber cleave angle from 0 to 15 degrees.
- Indicator for digital cleave counter, cleave menu.
- Both AC adapter and battery powered.

Fujikura CT-101/CT-102

SPECIFICATIONS

Model	CT-101	CT-102
Applicable fibers	Conventional silica single optical fiber Cladding dia. : 0.80 to 0.250 mm Coating dia. : 0.16 to 2.00 mm.	
Cleave length	3 to 40 mm	
Fiber Holder	FH-100 series	FH-60 series
Performance of the cleaving angle	Typical 0.30 degrees. (125 μm SMF)	
Range of the angle cleaving	0 to 15 degrees (adjustable)	
Blade	Material : Diamond Life : 20,000 fibers (1,000 fibers × 20 points) (125 μm SMF)	
Dimensions	140 W × 110 D × 95 H [mm]	
Weight	900 g or less (batteries optional)	
Power source	AC : 100 to 240 V (50 / 60 Hz) with ADC-16 DC : "AA" size battery 4pcs. (number of cleaving 1,000 fibers)	
Operating condition	Temperature : 0 to 40 degC / Humidity : 0 to 95% RH (non-dew)	
Storage condition	Temperature : -40 to 80 degC / Humidity : 0 to 95% RH (non-dew)	

STANDARD ITEMS

Description	Model	Qty.	Note
Advanced optical fiber cleaver	CT-101 or CT-102	1pc	
AC adapter	ADC-16	1pc	
AC power cord	ACC-08	1pc	
Hexagonal wrench	HEX-01	1pc	For blade adjustment For angle adjustment For tension adjustment
Hexagonal wrench	HEX-02	1pc	For cleave length adjustment
Instruction manual	M-CT101-E	1pc	
Cleave test report	—	1pc	

STANDARD ITEMS



OPTIONAL ITEMS

Item	Model
Fiber holder for CT-101	FH-100*** FH-100***EV
Fiber holder for CT-102	FH-60***
Cleave blade	CB-06

Table. Comparison of Fujikura cleaver for specialty use

	Fiber diameter [μm]					Angle cleaving Function	Fiber holder	
	80	125	250	600	1200		FH-60-xxx	FH-100-xxx
CT-101	✓	✓	✓			✓		✓
CT-102	✓	✓	✓			✓	✓	

Specifications and descriptions are subject to change without prior notice.

Lichtwellenleiter Arbeitskoffer FIBERARC

FIBERARC Art Nr.: 8010021005

Der Werkzeugkoffer für die Lichtwellenleiter Verarbeitung von Kabelvorbereitung bis zur Faserspleissung von FIBERARC beinhaltet alle benötigten und wichtigen Werkzeuge.

Im robusten Koffer ist weiterer Platz für zusätzliche persönliche Tools oder weiteres Zubehör vorhanden.



Inhalt LWL Arbeitskoffer

Hartschalen-Werkzeugkoffer ABS schwarz mit
Kabelschneider
Kabelöffner (Kabifix)
Multiwire Striper 721
Fiber Optik Stripper FO 103S
Kevlarschere KS1
Röhrchenschneider
Alkoholflasche (gefüllt)
Alkoholspender MDP 4 (passend zu Arbeitstisch)
Fuselfreie Reinigungstupfer
Fuselfreie Wattestäbchen
Faserrestbehälter
Kunststoffbox für Spleisschütze

Schraubenzieher 00-3
Schraubenzieher Philips 0-2
Stiftschlüssel 1,5mm (PB 205/1.5)
Stiftschlüssel 2,0mm (PB 205/2)
Reinigungspinsel
Pinzette
Wasserfester Filzstift
Universalmesser
Multitool Schraubendreher FIBERARC
Doppelmeter FIBERARC
Kugelschreiber FIBERARC
Schreibblock FIBERARC

Specifications and descriptions are subject to change without prior notice.